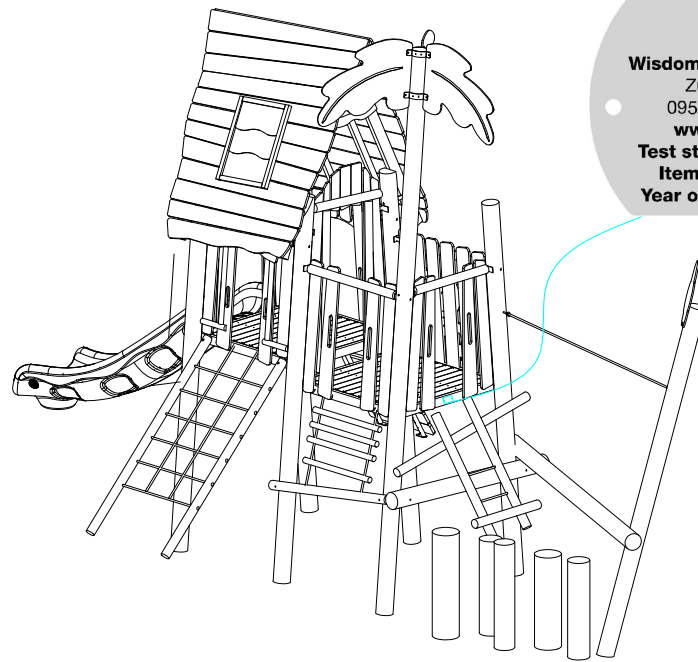


# Assembly Instructions



**WISDOM**

**Wisdom Education Europe GmbH**  
Zum Poppschen Gut 3,  
09526 Olbernhau, Germany  
[www.wisdomeurope.eu](http://www.wisdomeurope.eu)  
**Test standard: EN 1176-1:2017**  
**Item Code: HW1-S289-A**  
**Year of manufacture: 2023**

Description: Hawaii Hut Climbing Set

Item Code: HW1-S289-A

Manufacturer: Wisdom Educational Product Co., Ltd

Manufacturer Address: Building 4, Lane 2777, Baoan Road, Malu Town, Jiading District, Shanghai, China

# Assembly Instructions

1. Before installation, ensure that the site meets the below installation requirements.

- 1) Confirm whether the site has obvious slope affecting the installation. (The height difference of the concrete floor should not be more than 5cm, and the grass should be leveled when installing the equipment.)
- 2) Confirm whether there are immovable obstacles in the site and whether the site size conforms to the installation of this product (use zone shall be retained).
- 3) For the concrete floor, the post needs to be fixed to the ground with expansion screws. Ensure that the thickness of the concrete is more than 12cm (Concrete Strength  $\geq$  C30).
- 4) For the grass ground, it will need to dig a hole with at least 60CM deep for the post installation. Please check whether there are water, electricity, gas pipe and other factors under the site that may affect digging.
- 5) A minimum of five adults are required for assembly.

Only after the above conditions are met can the installation be performed. If necessary, please contact our company for technical support.

## 2. Product unpacking confirmation

When unpacking the product, please handle it with care. Protective flooring such as soft pads and cardboard should be laid at temporary storage site to prevent potential damage. If any components are damaged due to logistics, please contact the company to replace it in time, so as not to affect the installation.

## 3. Confirm the installation position of the product

Before installing the product, confirm the installation position with the customer. It is suggested to place the wall panels, fences and posts horizontally on the ground according to the design drawing to simulate the installation position, and confirm the use zone between the product and the surrounding area (no less than 183CM). After the customer's confirmation, install the products in the established position.

## 4. Notes

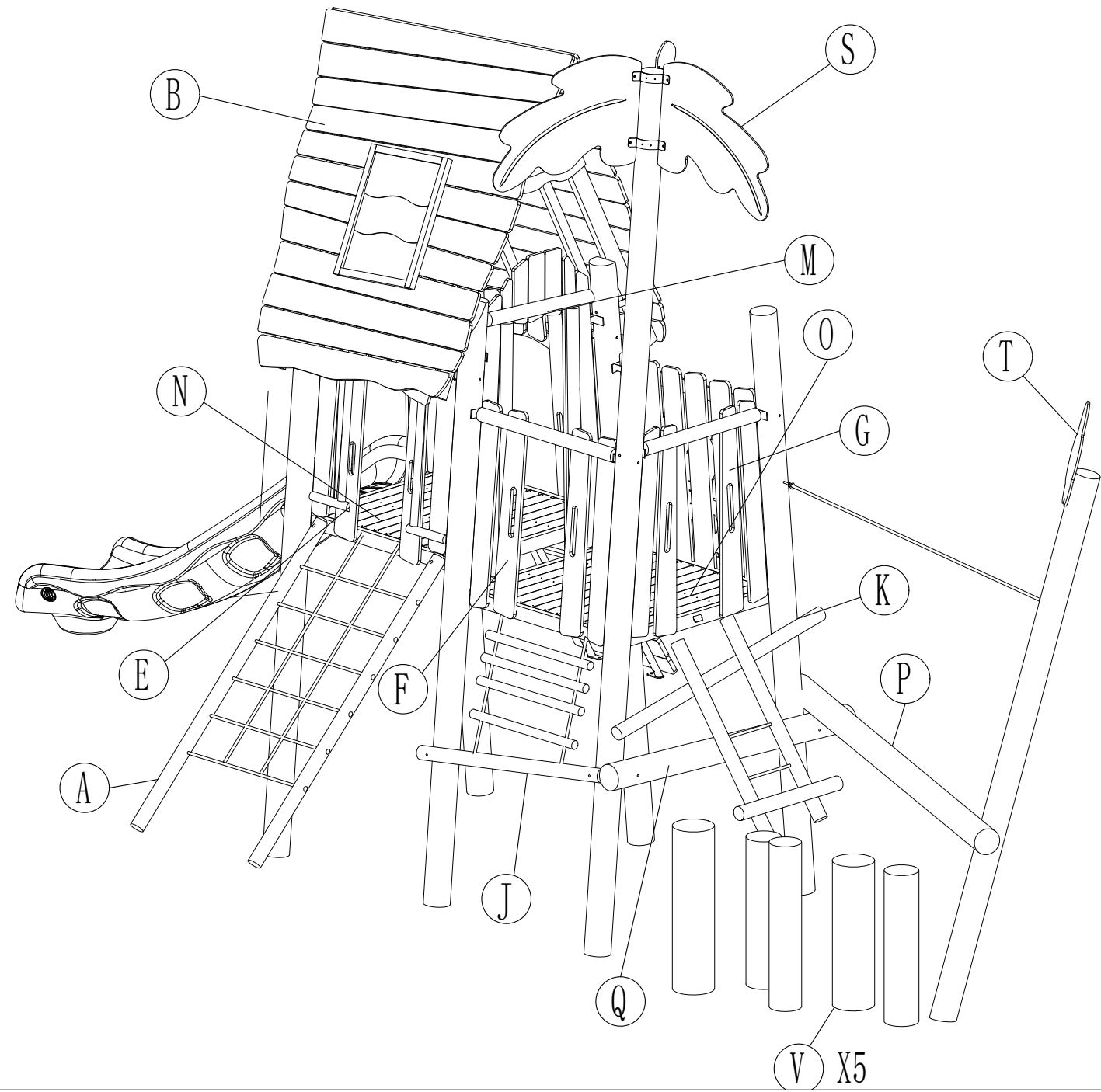
- 1) Children should be kept away from the product during incomplete installation, disassembly or maintenance to ensure safety. All screws should be tightened after assembly.
- 2) The expansion screws fixed to the ground need to be processed as the last step, and the product needs to be adjusted properly before fixing the expansion screws.
  - (1) Ensure that the post is vertical and does not tilt.
  - (2) Stand in the distance to see the posts in the same direction in a straight line (see from different directions), to ensure the product in good looking.

## 5. Installation tools

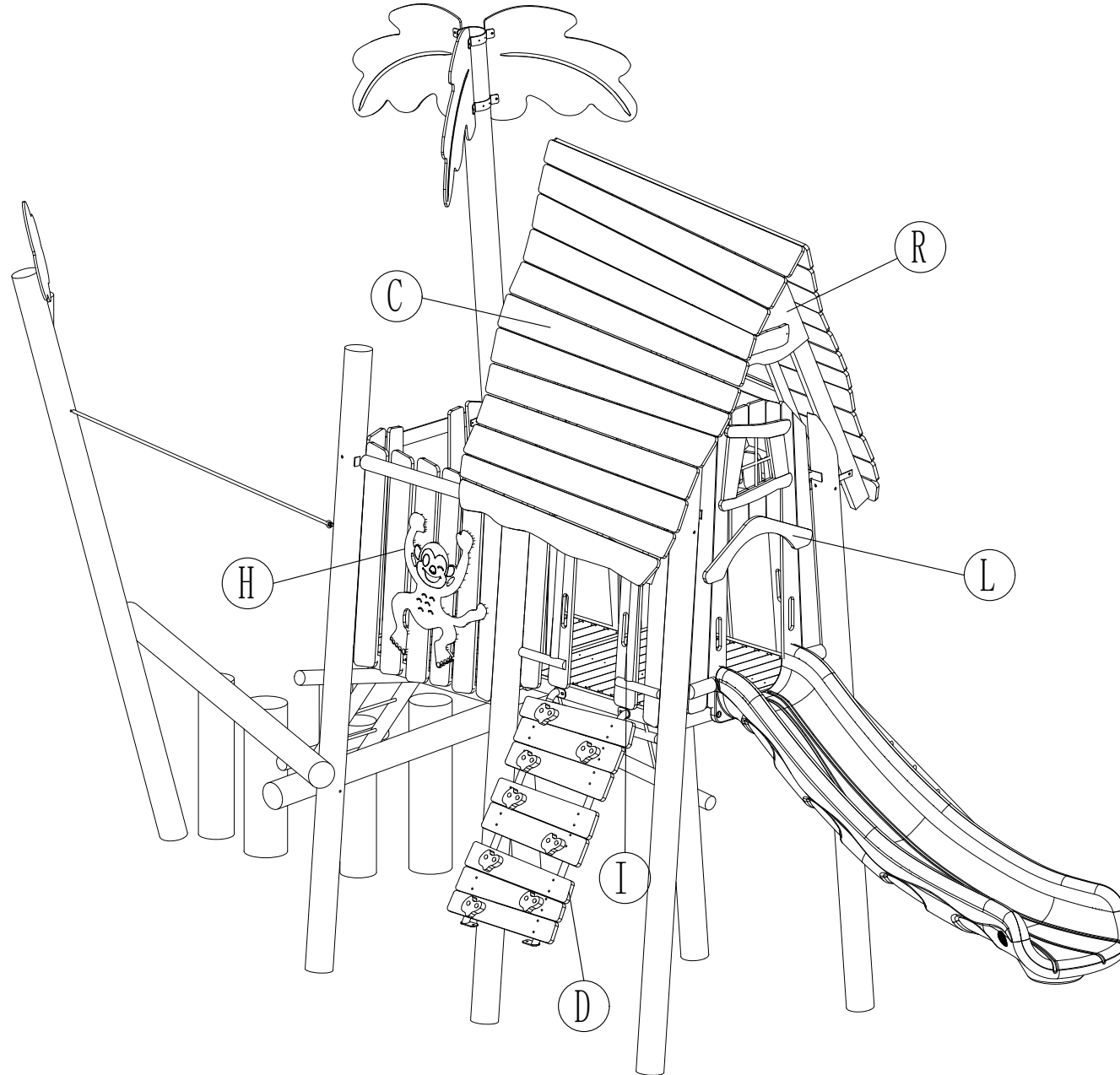
- 1) Impact drill, M12 impact drill bit, length not less than 12CM.
  - 2) Suggest to equip with cordless screwdriver to speed up the construction schedule.
  - 3) Scaffolding is recommended to facilitate the installation of square roof and hex roof.
- If the site is the grass ground, the following tools should be equipped.

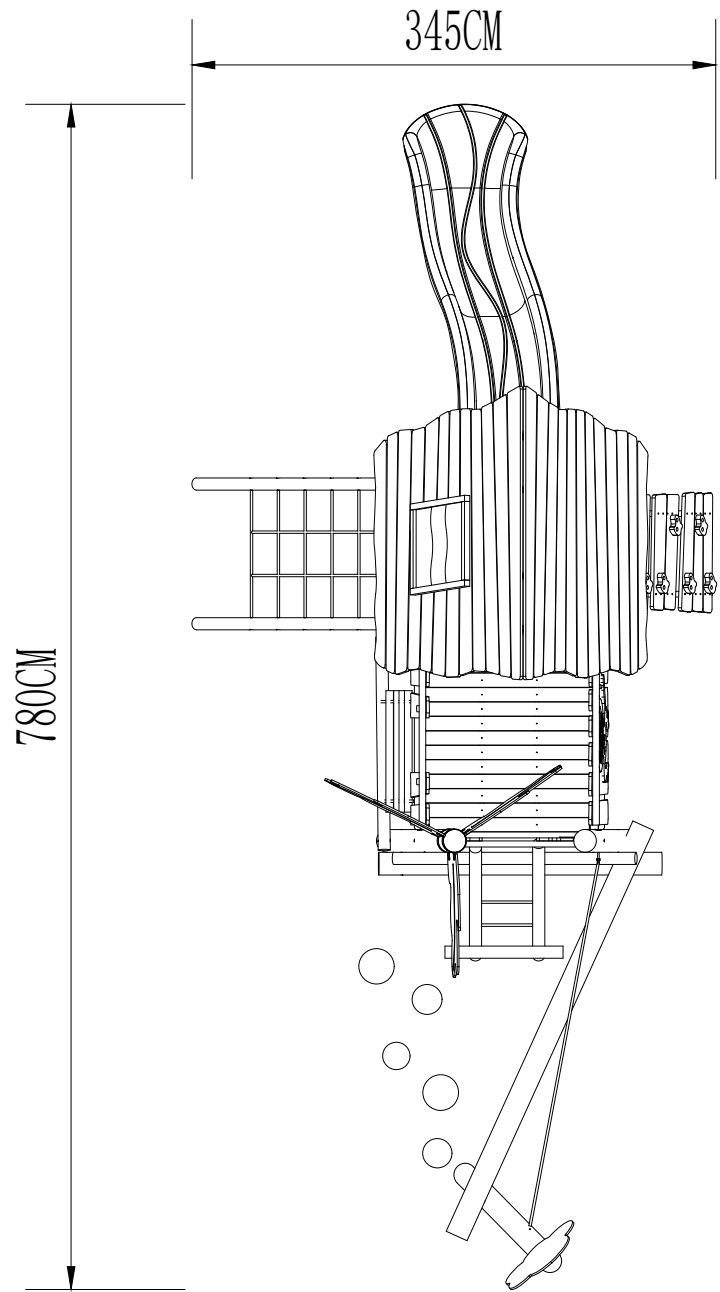
- 1) Laser level (when digging and pouring concrete to ensure that the posts are at the same level.)
- 2) Digging tools, such as spade, hammer, etc. (Small excavator is recommended.)
- 3) String (It is used to help locate the position.)

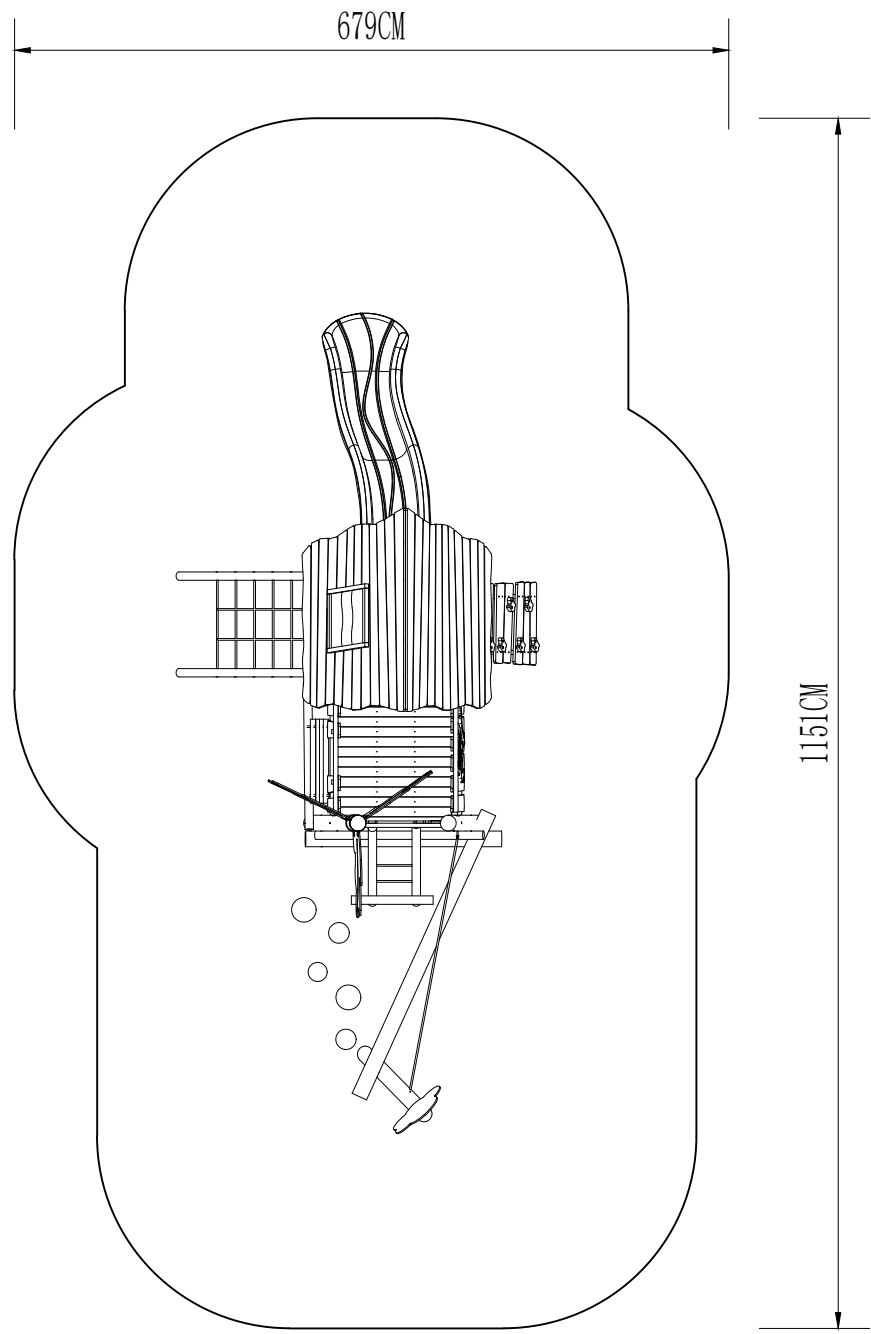
Overall product drawing 1



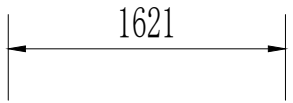
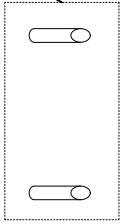
Overall product drawing 2







These are the two posts of the net climber. Dig pits and pour concrete while installing.

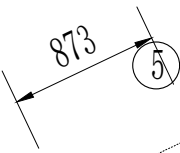


①

②

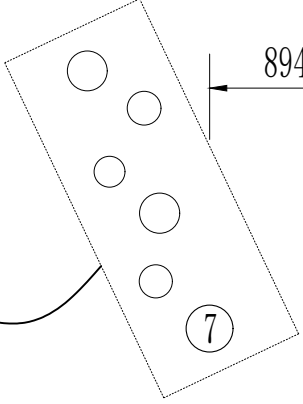
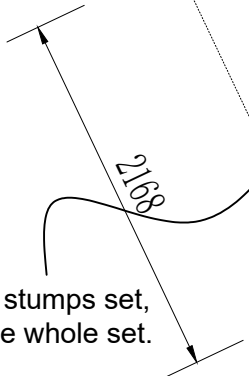
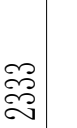
③

④



⑤

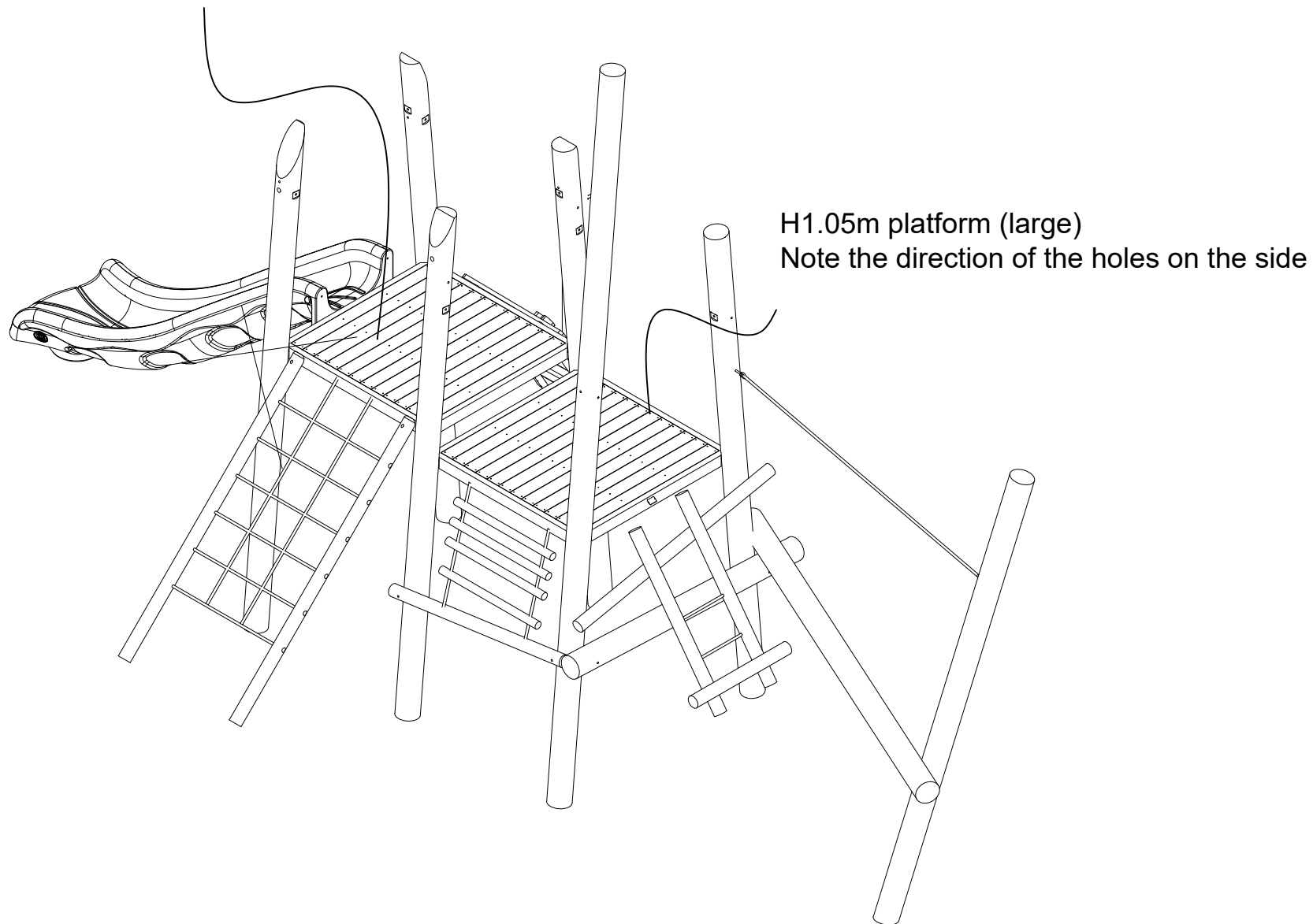
⑥



⑦

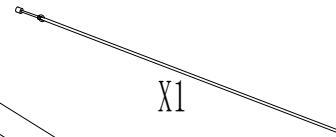
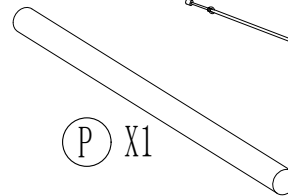
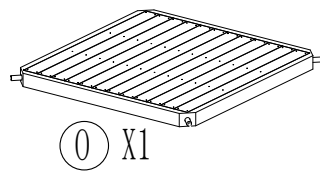
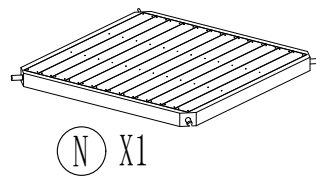
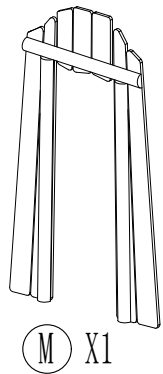
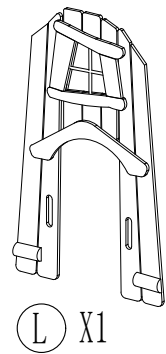
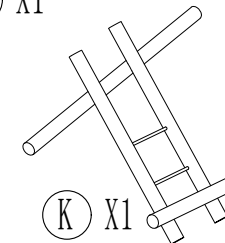
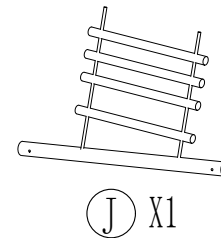
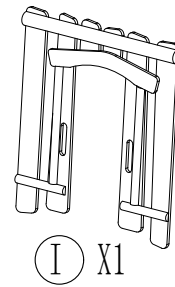
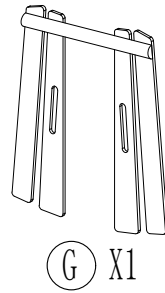
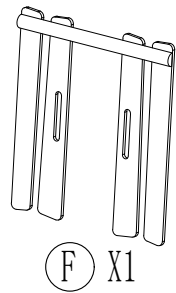
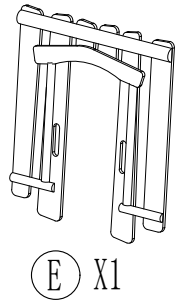
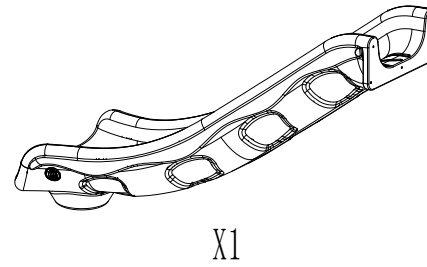
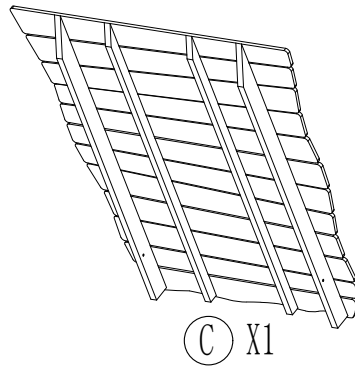
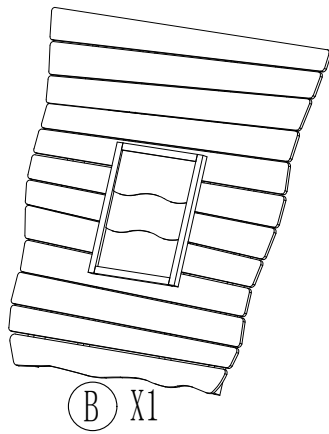
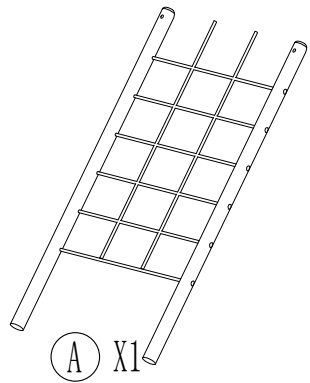
Challenge balance stumps set, please dig pit for the whole set.

H1.2m platform (small)  
Note the direction of the holes on the side

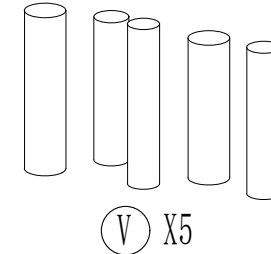
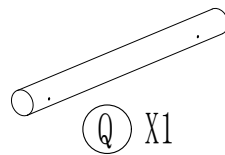




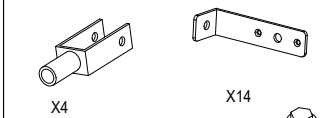
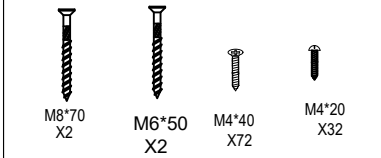
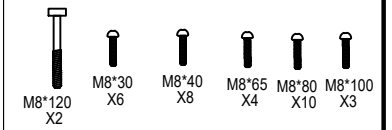
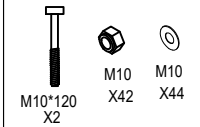
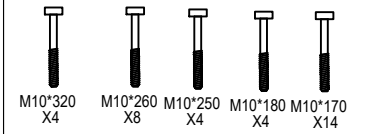
# PART LIST



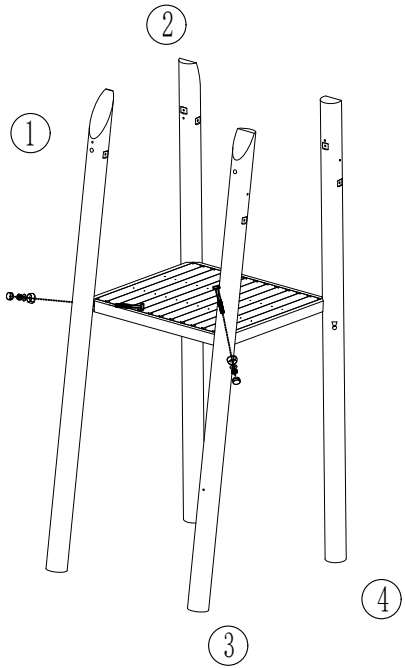
X1



# HARDWARE

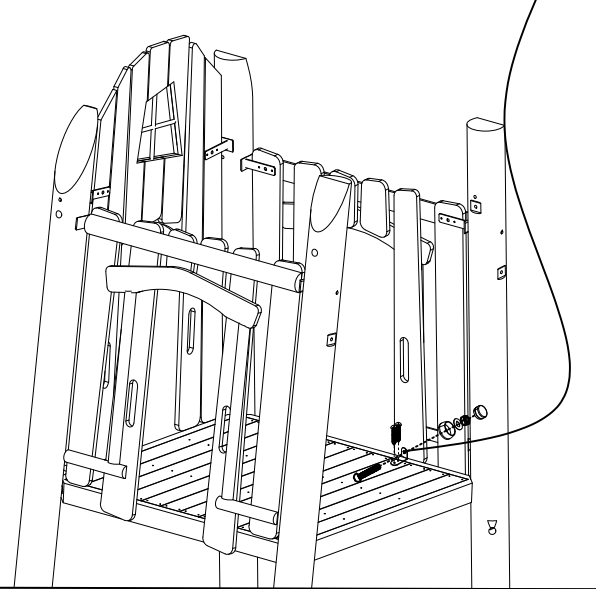
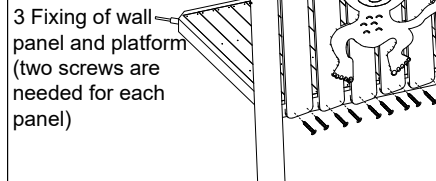
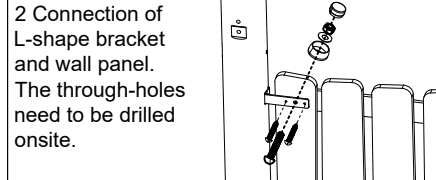
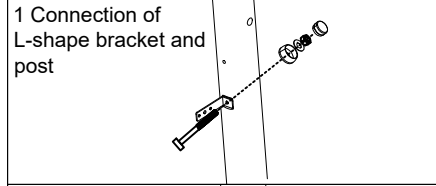
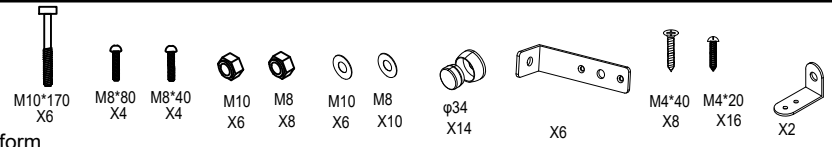


**Step 1**  
**Installation small platform**  
 Pay attention to the installation direction of the small platform. There are holes on the side, and install the corresponding components.

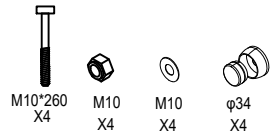
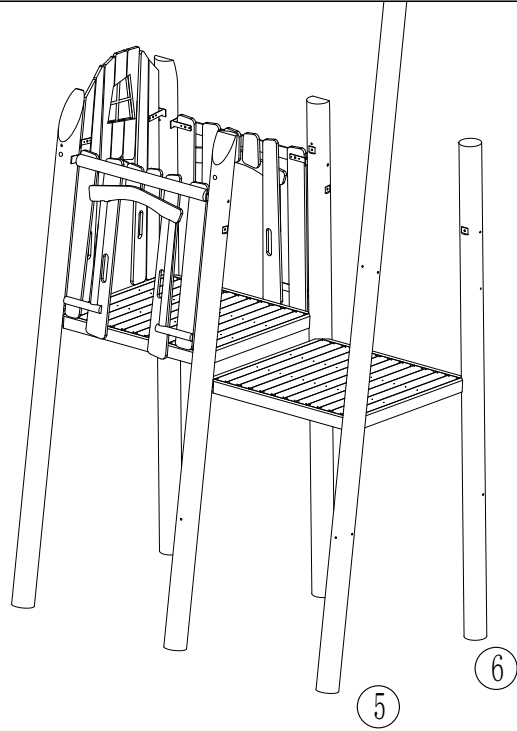


**Step 2**

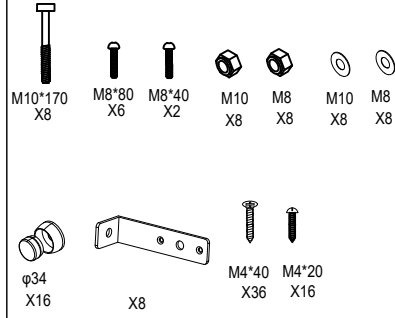
**Install wall panels on three sides of the platform**



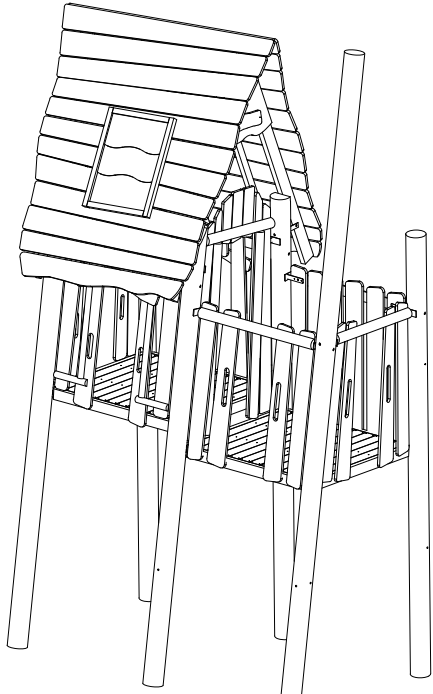
**Step 3**  
**Installation large platform**  
 Pay attention to the installation direction of the large platform. There are holes on the side, and install the corresponding components.



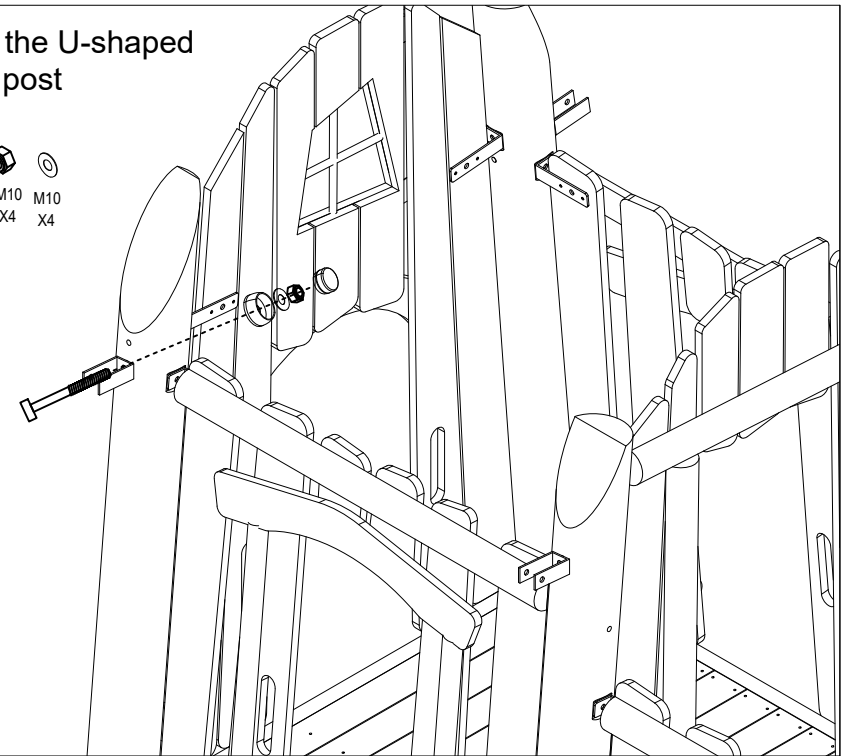
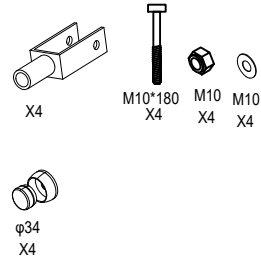
**Step 4**  
**Install the wall panels on the platform**



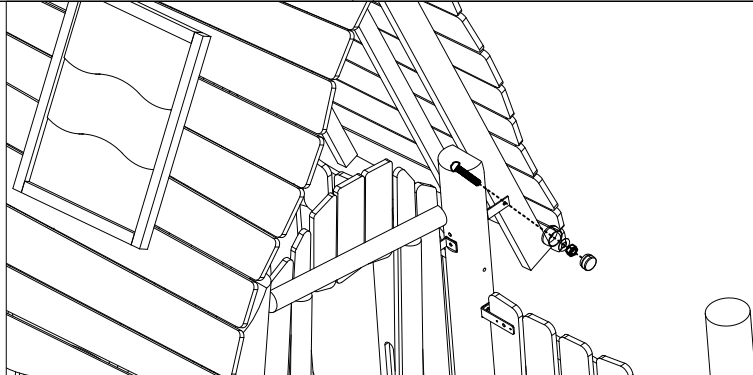
**Step 5**  
Install the roof, see the details in below.



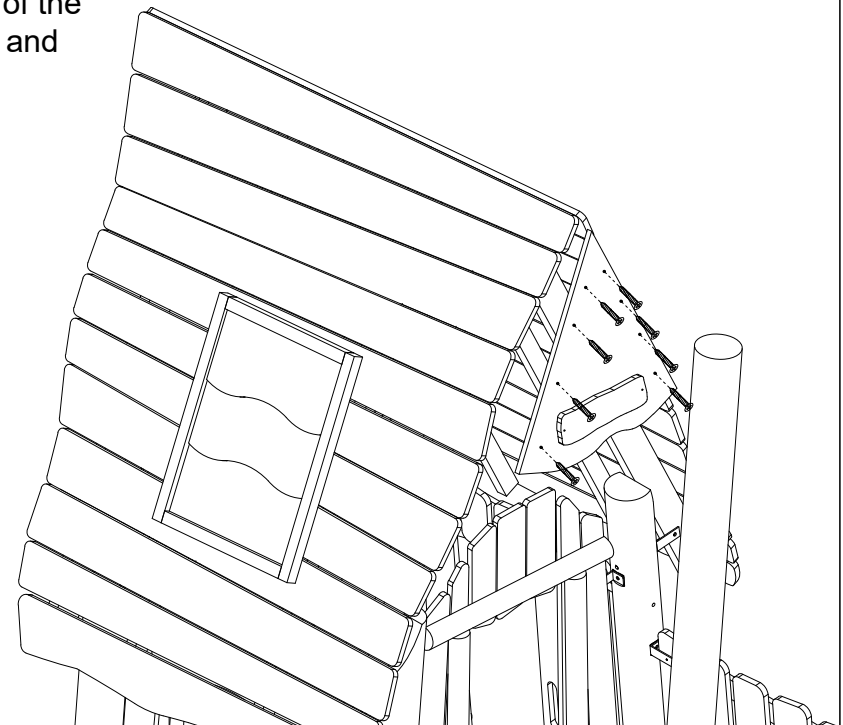
**1 Connection of the U-shaped bracket and the post**



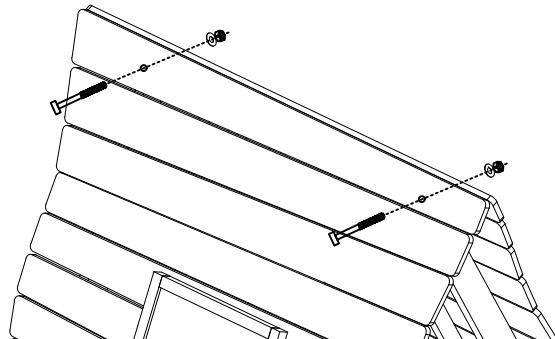
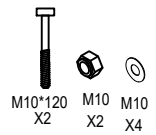
**2 Connection of the roof and U-shaped bracket**



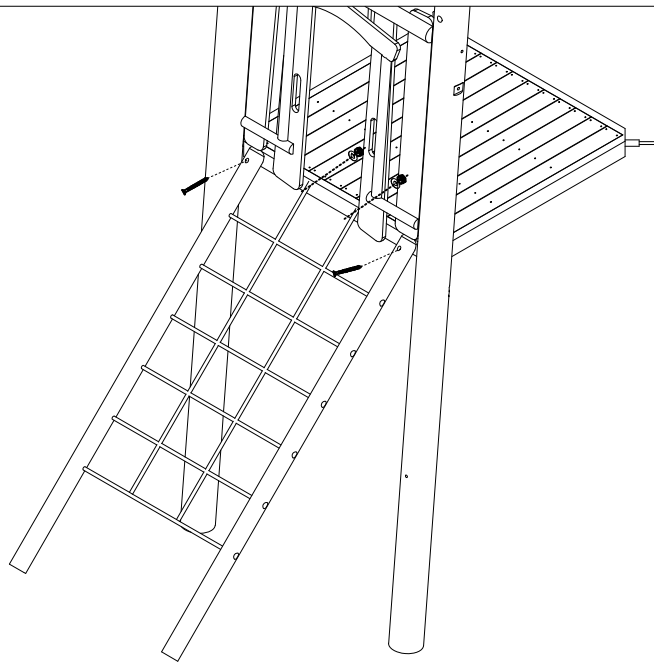
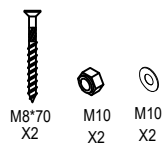
**4 Connection of the triangle panel and roof**



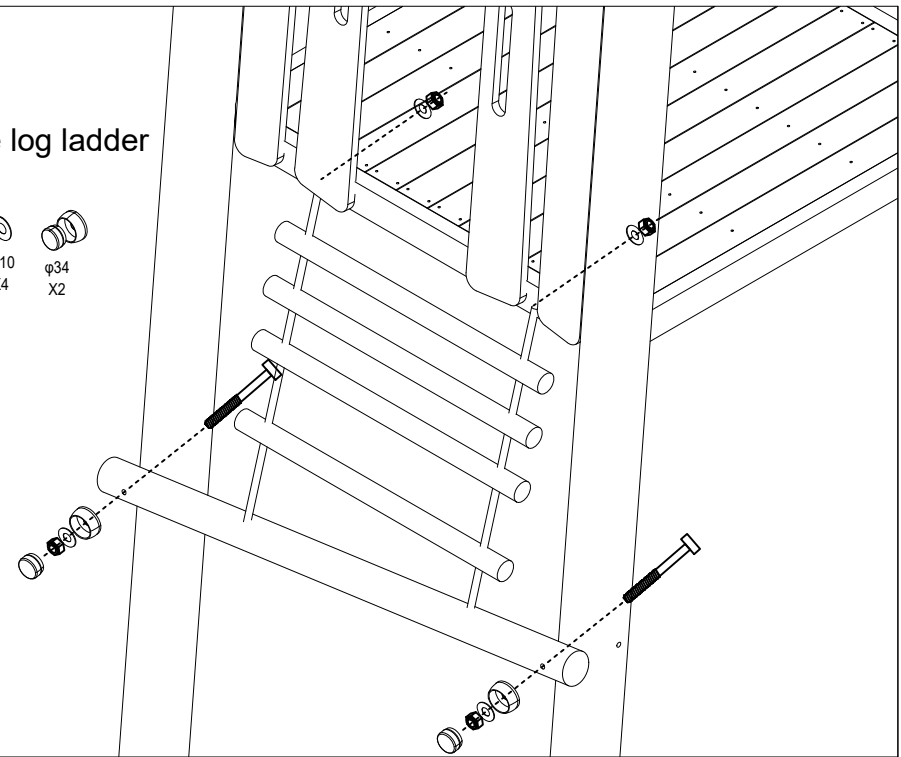
**3 Connection of the roof top**



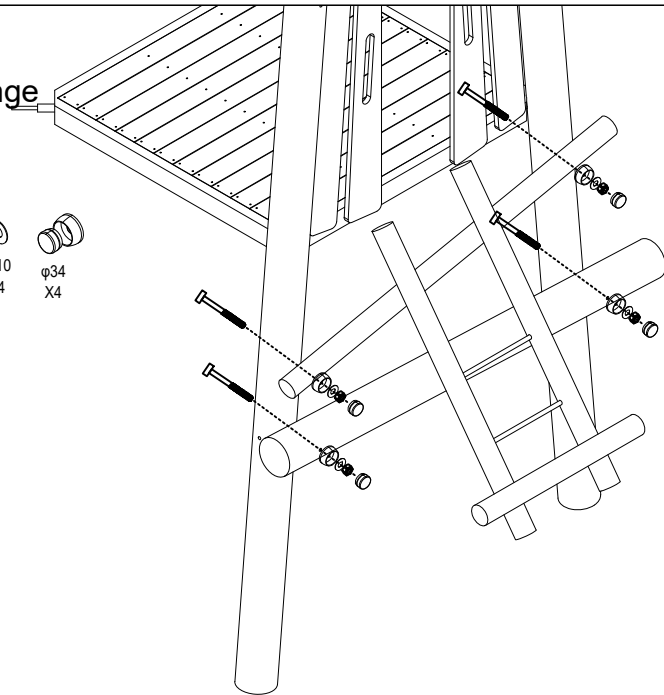
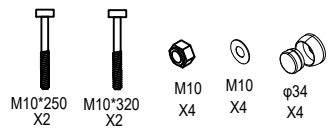
**Step 6**  
Install the net climber



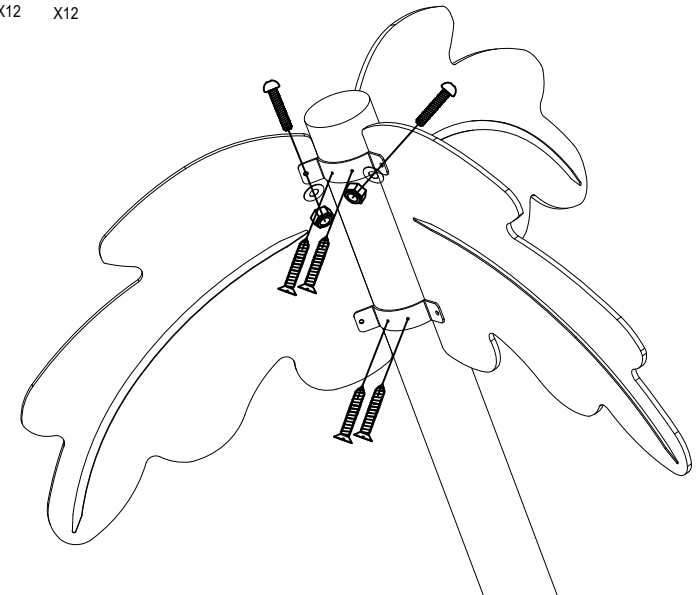
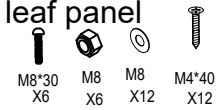
**Step 7**  
Install the log ladder



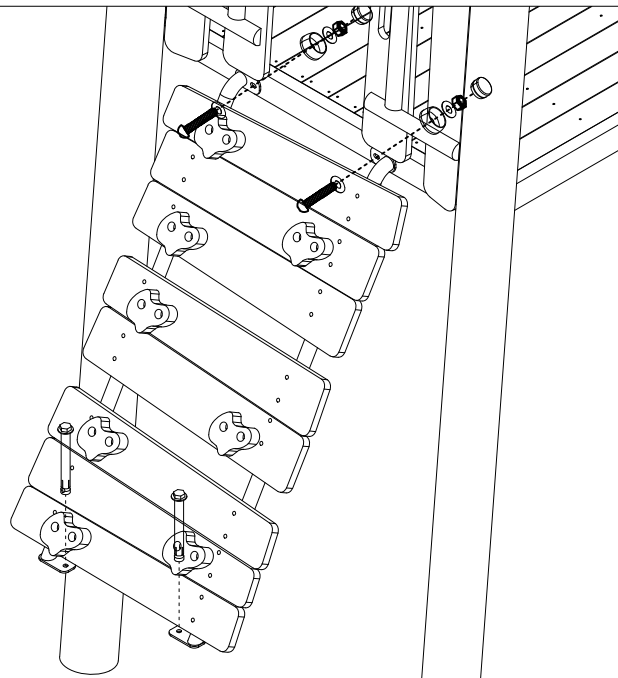
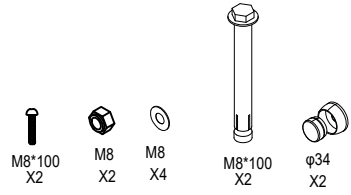
**Step 8**  
Install the challenge ladder



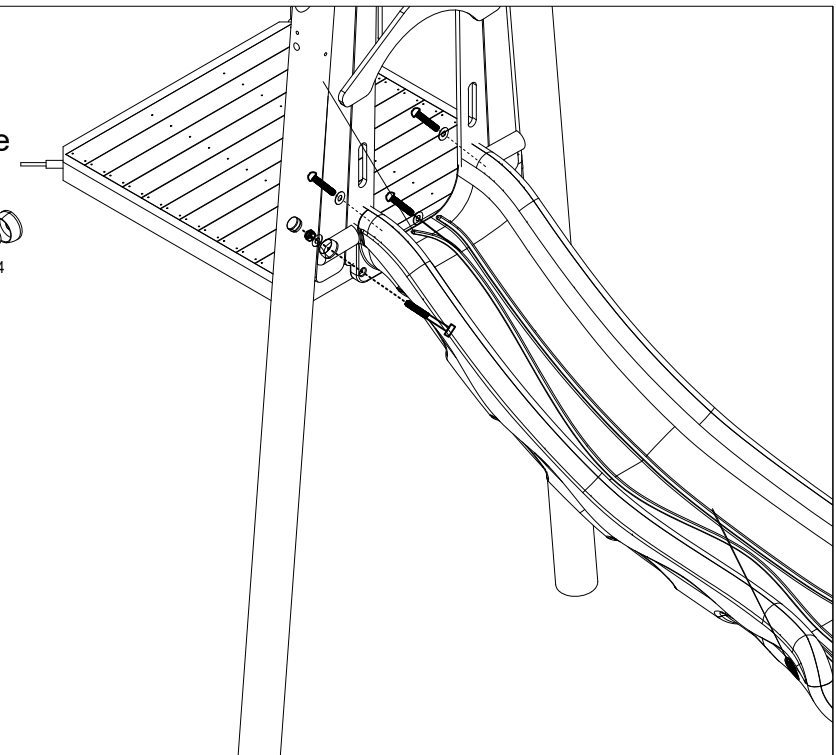
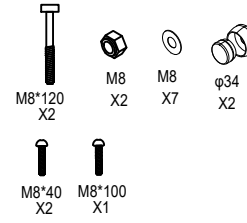
**Step 9**  
Install the leaf panel



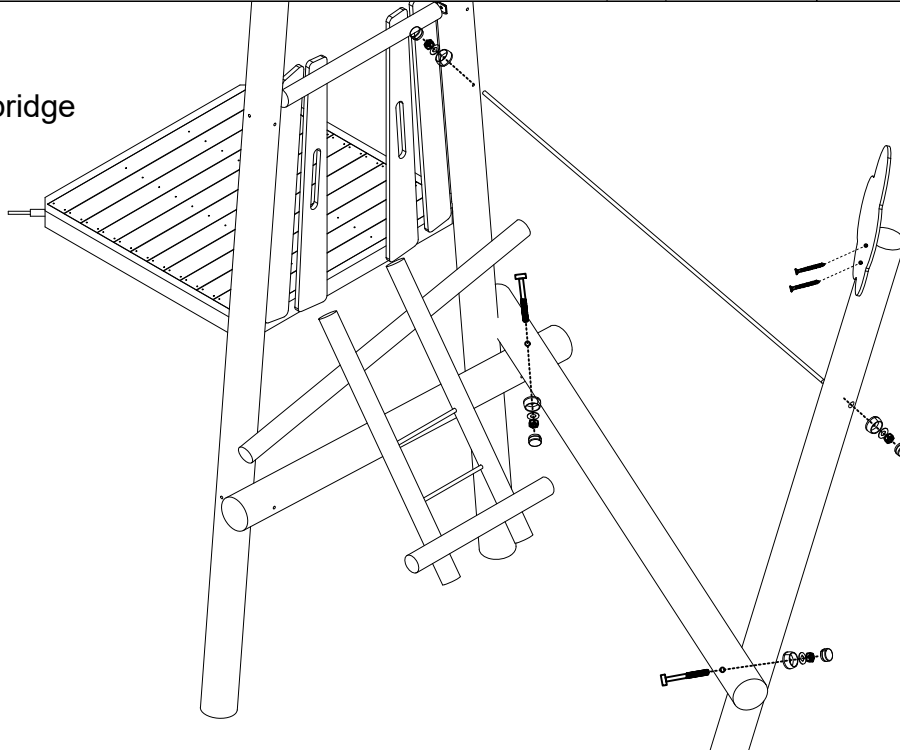
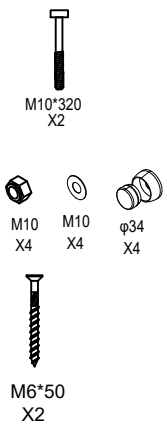
**Step 10**  
Install the climber



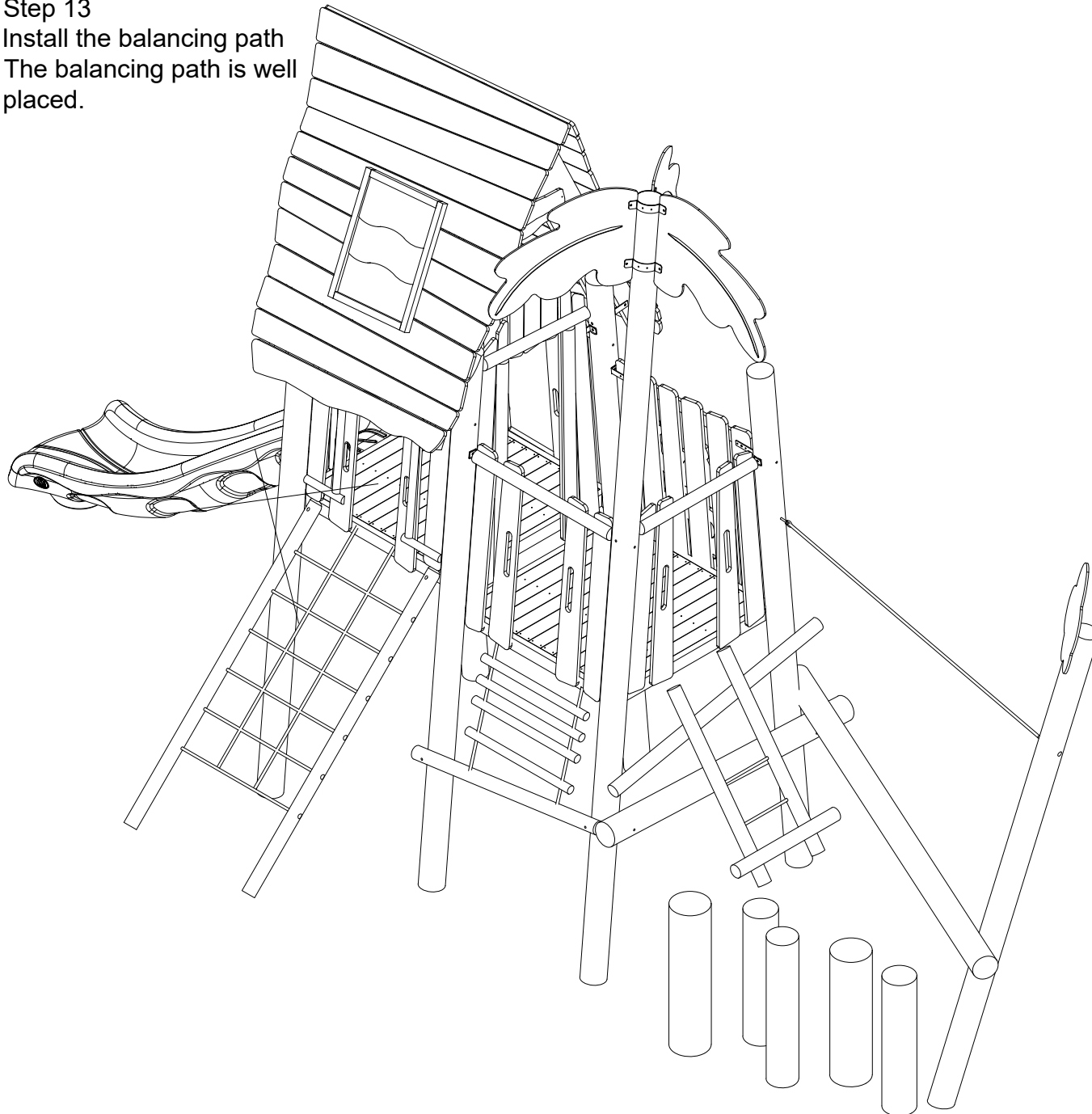
**Step 11**  
Install the slide



**Step 12**  
Install the log bridge



Step 13  
Install the balancing path  
The balancing path is well  
placed.



**CAUTION:**

- Do not allow children to climb on shelves.
- Do not use as a ladder or cart.

**CARE AND CLEANING**

- Clean wood with a damp cloth or sponge using warm water and mild soap. Wipe dry.
- Check for loose or worn parts periodically and tighten or replace as necessary
- Do not place unit near high heat.

Record the Batch-Number here. Information is located on the shipping carton and / or the product itself. Keep this sheet in an accessible place.

Model Number: **HW1-S289-A**

Batch-Number: \_\_\_\_\_

Distribution:  
**Wisdom Education Europe**  
Zum Popschen Gut 3  
09526 Olbernhau  
GERMANY

[www.wisdomeurope.com](http://www.wisdomeurope.com)

# INSTRUCTION MANUAL

Description: Hawaii Hut Climbing Set

Item Code: **HW1-S289-A**

**Imported** into EU by: Wisdom Education Europe GmbH, Zum Popschen Gut 3, 09526 Olbernhau, Germany

Manufacturer: Wisdom Educational Product Co., Ltd

Manufacturer Address: Building 4, Lane 2777, Baoan Road, Malu Town, Jiading District, Shanghai, China

Test standard: EN 1176-1:2017,

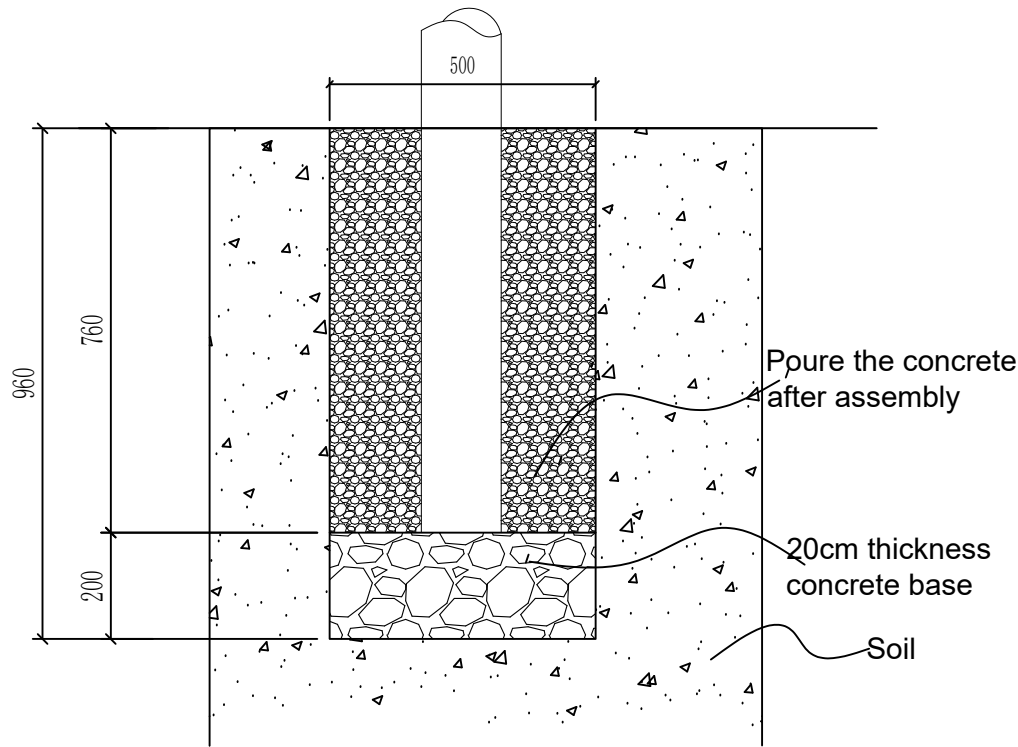
Overall Dimension: 780\*345CM

Weight: NW:698KG, GW : 732KG

## INSTALLATION INSTRUCTIONS

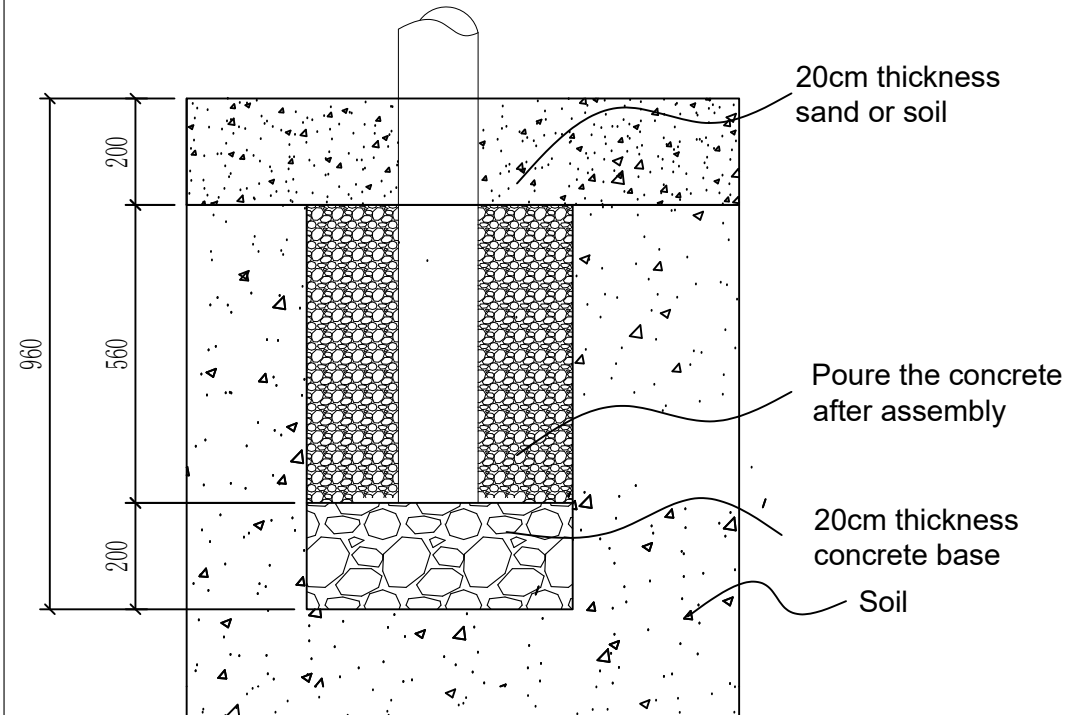
- 1.Ensure the area is safe and devoid of any hazards prior to assembly,The minimum space will be:1151\*679CM.
- 2.A minimum of two adults are required for assembly.
- 3.The product and materials are intended for indoor or outdoor use under supervised conditions.
- 4.Check the quantity of spare part based on spare part list before assembly.
- 5.When installing,ensure ground is either a soft fall surface,or protected by a soft material such as cardboard or a blanket when assembling to avoid frame scratching.
- 6.Tighten all bolts after assembly.
- 7.Remove all assembly materials and tools from the play area before the equipment is used.
- 8.During the process of incomplete installation, disassembly, or maintenance, the children should stay away from the product to ensure safe.
- 9.The product can be fixed to the ground, and the below is the assembling intruction.

Solid wood post fixing method A  
Applicable conditions: Concrete floor



Locate the position of the post according to the footing diagram. Dig a 50x50x96D cm pit. Pour 20cm thickness concrete into the pit as the base(Required Concrete Strength: No Less Than C30). Use a laser level to ensure that the concrete bases are at the same level. After the concrete has set completely, assemble the componets in the pit, then pour concrete to the ground level..

Solid wood post fixing method B  
Applicable conditions: Soft soil ground or sand ground



Locate the position of the post according to the above drawing. Dig a 50x50x96D cm pit. Pour 20cm thickness concrete into the pit as the base(Required Concrete Strength: No Less Than C30). Use a laser level to ensure that the concrete bases are at the same level. After the concrete has set completely, assemble the componets in the pit, then pour concrete again and cover with soil 20CM to fill the pit.



## INSTRUCTIONS

1. Please read the instructions and warning labels carefully before use.
2. Inspect items and play area for any potential hazards prior to use.
3. Maximum number of people using the equipment at the same time is 8 .
4. User age group: 3 ~ 14 years old.
5. Never leave children unattended. Ensure constant adult supervision.
6. Please pay attention to the safety of the surrounding environment before use and avoid use under bad weather conditions.

### 7. Instruction for anchor

Anchor for grass ground: Check once a month to ensure that the embedded anchor and the self-tapping screw is not loose, and the fabric loop is not broken.

If the anchor is loose, need to be covered with soil for reinforcement. If the screw is loose and fabric loop is broken, need to replace it in time.

Anchor for cement floor: Check once a month to ensure that each expansion screw is not loose. If it is loose, please replace it in time.

8. If the material is damaged and needs to be repaired, please contact the manufacture to repair or replace.

9. Please ensure that the installation ground is horizontal during installation and keep it horizontal during use.

## MAINTENANCE

1. Clean with a moist cloth.
2. Use neutral cleaners for cleaning.
3. Regularly inspect the product.
4. Follow the below inspection cycle to adequately inspect the product.
5. Fill in the inspection record after the inspection.

### INSPECTION INFORMATION

Inspection cycle	Inspection Project	YES/NO	Solution	Signature
Daily Inspection on Items	Check screws, bolts and fasteners are tightened.			
	Installed on a flat surfact and no hazards are present.			
	Equipment is free of dirt and moisture.			
	Hook and loop attachments are securely fastened.			
	Check for a signs of damage and wear.			
Monthly Inspection on Items(Except for Daily Inspection on Items)	Check screws are free of rust and damage.			
	Check parts are securely connected.			
	Check compliance labels are intact.			
Annual Inspection on Items(Except for Daily and Monthly Inspection on Items )	Check there is no extensive corrosion and replace if required.			
	Check for cracking or connecting part deterioration. Replace if required.			
	Check there is no excessive discolouration of components.			
	Check screws and connectors are in working order and not damaged or deteriorated.			
	Check compliance labels are legible.			
	Check the play area under the equipment is safe and level.			